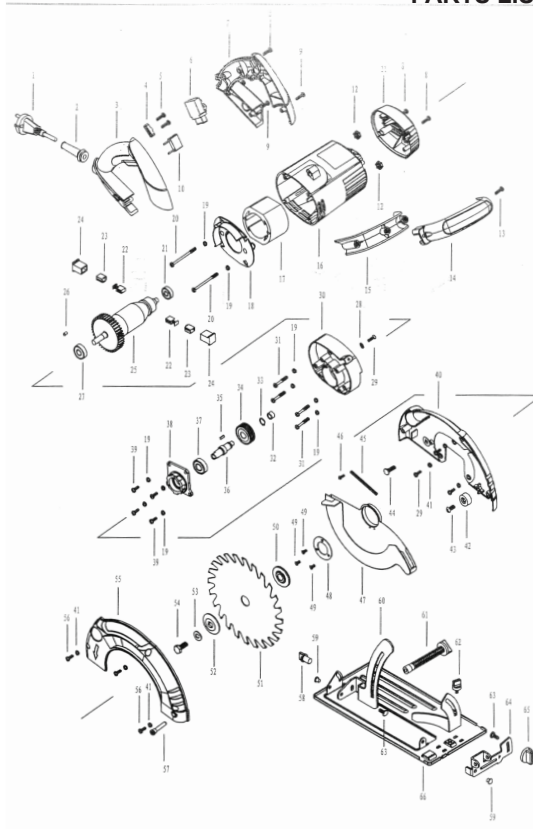


EXPLODED VIEW OF RD-CS210

PARTS LIST RD-CS210



- | | |
|-------------------------|---------------------------------|
| 1. Power Plug | 34. Gear |
| 2. Power Cord | 35. Flat washer 3x10 |
| 3. Right Handle | 36. Shaft |
| 4. Cord Clamp | 37. Bearing 6001 |
| 5. ST4X12 Screw | 38. Bearing Base |
| 6. Switch | 39. M4X12 Screw |
| 7. Left handle | 40. Left Aluminum Guard |
| 8. ST4X16 Screw | 41. Spring washer 5 |
| 9. ST4X20 Screw | 42. Rubber washer |
| 10. Capacitor | 43. M6X14 Screw |
| 11. Back cover | 44. M6X20 Screw |
| 12. inductance | 45. Removable Guard Spring |
| 13. ST5X20 Screw | 46. M4X8 Washer |
| 14. Upper side handle | 47. removable Guard |
| 15. Down side handle | 48. Bearing Cover |
| 16. Encloser | 49. M4X8 Screw |
| 17. Stator | 50. Inner compressing Plate |
| 18. Wind guard | 51. Saw Blade 185 |
| 19. Washer 4 | 52. Outer compressing Plate |
| 20. ST4X65 Screw | 53. washer |
| 21. Bearng 608 | 54. screw |
| 22. Carbon brush | 55. Right Aluminum Guard |
| 23. Carbon Copper | 56. M5X12 Screw |
| 24. Carbon brush holder | 57. screw |
| 25. Rotor | 58. Angle adjusting knob 1 |
| 26. Rubber block | 59. Rivet 6 |
| 27. Bearing 6000 | 60. Depth holder |
| 28. Flat washer 5 | 61. Depth gauage adjusting knob |
| 29. M5X16 | 62. Screw for depth gauage |
| 30. Center support | 63. Screw M5X12 |
| 31. ST4X35 Screw | 64. Angle level |
| 32. Oil bearing | 65. Angle adjusting knob 11 |
| 33. Ring 12 | 66. Base |